

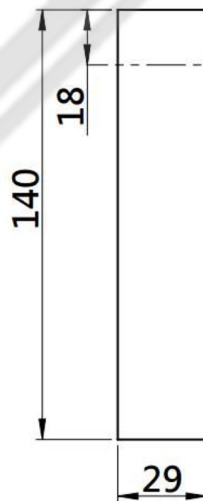
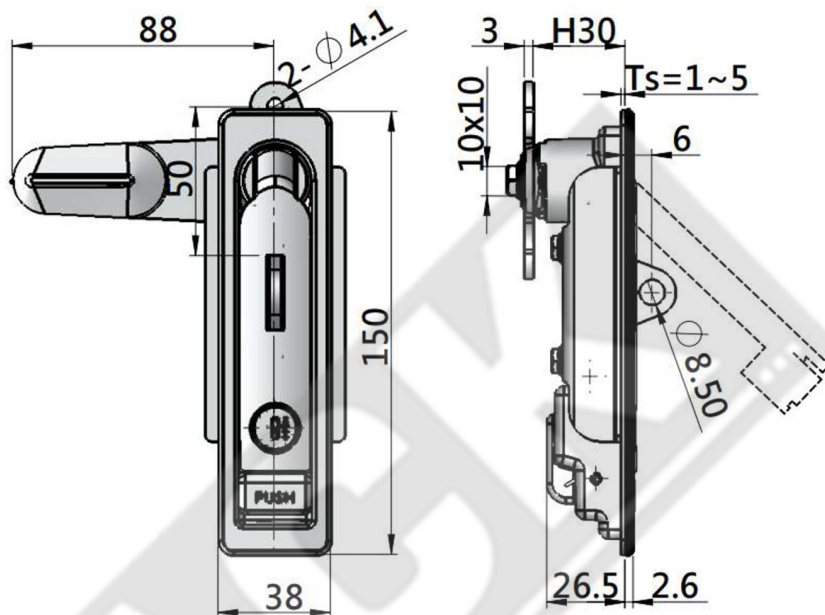
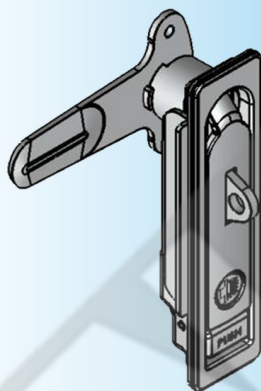
For Product Step File or 3D Model Send a Request Mail To info@nrack.com



Photo View



3D Rendered View



CUT OUT

MS 104C-1-1G

- Material: Zinc die-casting body and shaft, Zinc plating cam
- Panel thickness: 1~5mm fixin parts
- Remark: MS104C-1-1G, cam cutout \square 10x10 the other item No of cam cutout \square 8x8
- Finish: Cray chrome plating, Bright chrome plating Black powder coated

Product Number		Weight (g)	Lot
K0600(A)	K0200		
MS 104C - 1 - 1AG	MS 104C - 1 - 1G	565	40
MS 104C - 2 - 1AG	MS 104C - 2 - 1G	416.7	50
MS 104C - 3 - 1AG	MS 104C - 3 - 1G	359.5	50